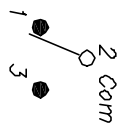


RECOMMENDED P.C.B. LAYOUT

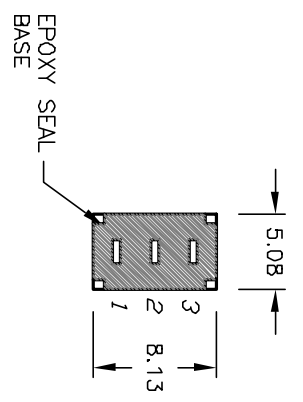
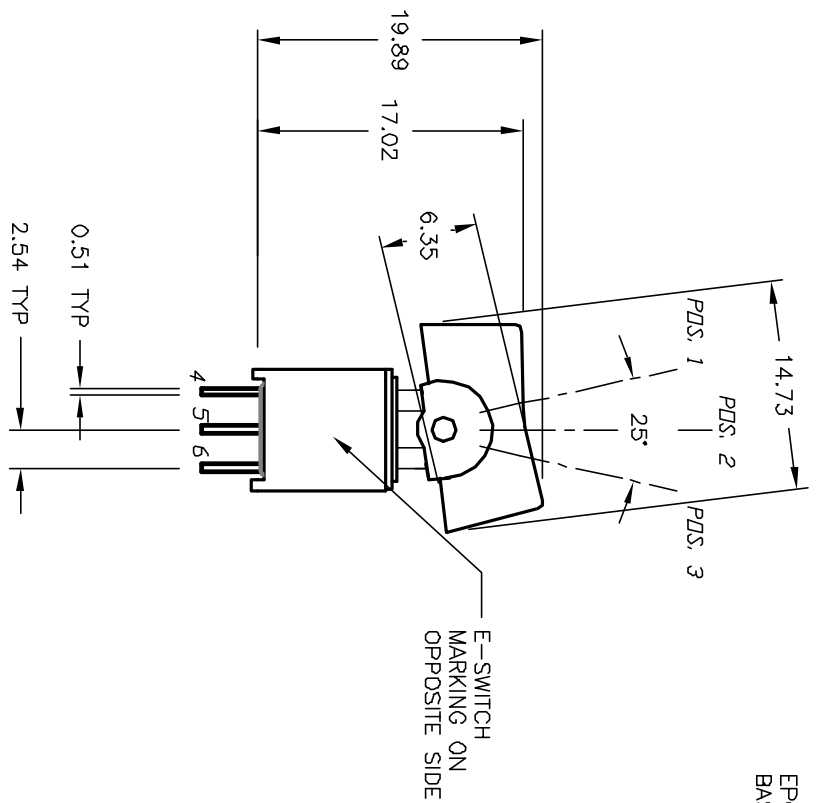
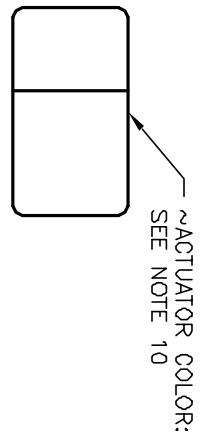


CIRCUIT: SPDT  
CONTACT CONFIGURATION

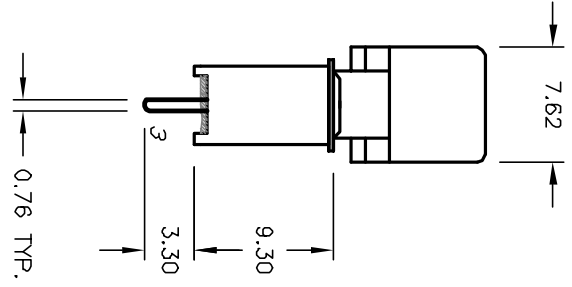
SWITCH FUNCTION		
PDS, 1	PDS, 2	PDS, 3
DN	OFF	DN
2-3	DPEN	2-1

NOTES:

1. ALL DIMENSIONS IN MM
2. GENERAL TOLERANCE: X.X=±0.4  
X.XX=±0.25
3. TERM. NDS. FOR REF. ONLY
4. RATING: 0.4V @20V (AC OR DC) max.
5. FIXED TERM/MOVING CONTACT  
COPPER ALLOY W/Gold plate over Nickel plate  
ELECTRICAL LIFE: 30,000 MAKE-AND-BREAK CYCLES AT FULL LOAD.
6. ELECTRICAL LIFE: 30,000 MAKE-AND-BREAK CYCLES AT FULL LOAD.
7. INSULATION RESISTANCE: 1000M OHM TYPICAL
8. DIELECTRIC STRENGTH: 1,000 V RMS @SEA LEVEL
9. OPERATING TEMP.: -30°C to +85°C
10. ACTUATOR: NYLON BLACK (UL94-HB)



BOTTOM VIEW



REV.	ECN NO.	DESCRIPTION	DATE	CHKD
A	12207	RELEASED FOR PRODUCTION	2/27/03	CB

TITLE	SCALE	DATE	DR	DWG	REV
400A WMSP-1 R1 (BLK) M2 RE (GOLD CONTACTS)	2:1	2/27/03	CB	T403011	A

THE INFORMATION CONTAINED IN THIS DOCUMENT IS PROPRIETARY TO E-SWITCH AND IS NOT TO BE COPIED OR TRANSMITTED